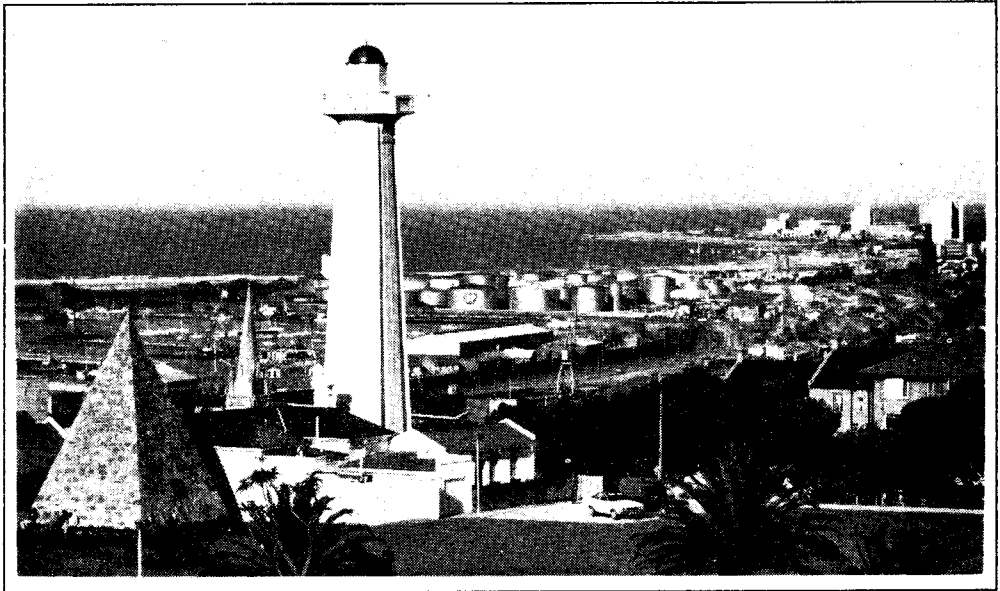




Q S X

P E



THIS NEWSLETTER IS PUBLISHED BY THE  
PORT ELIZABETH BRANCH OF THE  
SOUTH AFRICAN RADIO LEAGUE

P.O. BOX 10402  
LINTON GRANGE  
6015

**April 1996**

## MONTHLY GENERAL MEETING

The monthly general meeting of the Branch will be held on FRIDAY, 19 April 1996 in the Civil Defence Centre, Westview Drive, Mill Park, Port Elizabeth, commencing at 8 pm (20:00).

The talk on **Air Traffic Control** should be enjoyed by all, as well as the tea and munchies that will be available for a small consideration.

## CONSTRUCTORS' GROUP MEETING

A technical discussion will be held at the Civil Defence Centre on Wednesday, 24 April starting at 8 pm (20:00). The QRP receivers that participants in the Constructors' Group have recently put together will be discussed and circuit details for the *transmitter* generator board will be available.

This meeting is *not confined to QRP devotees*. Any member who is interested in construction techniques is welcome to attend.

## HELP!!

Having suggested that branches should again take turns in providing copy for Radio ZS, as was discussed at one of our general meetings, President Chris Turner has asked the Eastern Cape hams to "adopt" the MAY/JUNE issue of the magazine and provide the necessary articles.

**Thinks: Must remember to keep my mouth shut in future. - Ed**

The closing date for that issue is coming up rapidly, so an URGENT APPEAL is made to members to come up with anything that they consider interesting and suitable for inclusion in Radio ZS. If you extract an article from some other source, please quote the name, publisher's name and date of issue of the publication from which it is lifted. If it is your original work, please say so.

Items need not be technical. Anything with a ham flavour, even humorous anecdotes - are fine. Please get them by the quickest means to Garth ZS2HB at 13 Risa Road, Providentia 6070 (fax 38-1101). Or send them direct to The Editor, Radio ZS, by post (PO Box 807, Houghton 2041) or better still E-mail (SARL@GLOBAL.CO.ZA) - but then please let Garth know (☎ 38-1101) what you have sent so we do not provide a similar article.

Hier is 'n ideale geleentheid vir ons Afrikaanssprekende lede om iets omtrent die wanbalans in Radio ZS te doen! Maar die saak is **DRINGEND!**

The matter is **URGENT!**

## *A Word from ZS2RS*

**T**he AGM has come and gone and we now stand at the crossroads. The future of the South African Radio League is in *your* hands.

Every delegate came away with a most positive attitude, which we hope will be passed on to members and by them to non-members.

What you are now, for the present, being offered is a package which is either the same as before, and many were dissatisfied with that, or less for less. Not exactly an offer which will cause you to rush out, cheque book in hand, hoping to secure a place in the queue?

But, **what we have is a strong infrastructure** which now requires careful nurturing and rebuilding. The past is the past, even though we mortal beings have long memories when we see fit.

In his opening address the President spoke of the achievements of the past year. These were repeated, at the request of all delegates, on the Headquarters bulletin. At the last meeting of the PE Branch I made a point of again highlighting these. Whether you are a member or not, these are very real facts and are to the benefit of every amateur in South Africa.

Any thoughts of a new organisation spell disaster, besides which all the machinery is already in place, all being required is a positive kick start and ongoing support. **The Port Elizabeth Branch is active and healthy** and my earnest appeal to all members and ex members is to give the League one last chance to rebuild and to assist it to become a body truly representative of all involved in our fascinating hobby.

73,

*Dick* ZS2RS

# HAMNET NEWS

## The Morse

The recent Intecnet dealing with the morse test brought forth many varied comments and views on the subject. It was interesting to note that the majority were in favour of retaining the test. When considering the emergency aspects of the code, I feel that I would want to be able to send and receive morse, even if only slowly, just in case of the situation where no other mode or means of communication is possible. I would also like to know that there is a reasonable chance of someone at the other end who could also send and receive morse.

## Emergency Preparedness

It is good to make a check from time to time on how well prepared you are

to handle emergency communications and here we are talking essentially about portable operations. This would be a particularly good time to do so as the Volkswagen Rally is around the corner and constitutes a good emergency exercise.

Firstly, make a list of what you feel you must have and should have to operate a portable station for a day or two. Always keep this list handy.

Secondly, see that the items on your list are either already in your vehicle, or are readily available to be packed into the vehicle.

73

Al Akers.

Provincial Director,  
Hamnet East Cape

---

## VHF QSO PARTY

It was good to have some thirty to forty stations either participating in the QSO party or giving points. Unfortunately, there were no Uitenhage or Despatch stations to be heard. Where are all those amateurs who were so active a while back?

The number of logs sent in was also very disappointing, only four from Port Elizabeth and none from elsewhere.

Results were as follows:

### Zone A

#### 2m FM Only Senior Fixed Station

1st ZS2ABU and ZS2SZ, both with 27 contacts and 41 points.

3rd ZS2AZ - 20 contacts and 26 points.

#### 2m FM Only Senior Portable Station

1st ZS2U with 24 contacts and 128 points.

#### 6m FM Only Senior Fixed Station

1st ZS2SZ with 2 contacts and 6 points.

#### 6m FM Only Senior Portable Station

1st ZS2U with 7 contacts and 38 points.

There were no entrants from Zone B or any other areas.

There was an opening to East London on Sunday morning and ZS2AH of East London is known to have worked ZS2FM, ZS2G and ZS2BWB. What a pity they did not send in logs.

73,

Al, ZS2U.

# Mad Dog Bytes for Hams

The landline BBS called The Mad Dog, operated for some ten years by Bryan Haeefele ZR2BG, closed down about 6 months ago but has recently been resurrected with an important difference: it is now dedicated to the Ham Radio fraternity

The LLBBS runs as a closed system and any ham wanting to make use of the facility will have to either log on and fill out a questionnaire or phone the Sysop (041 66-0580) to get clearance and a password. *Note - that's the voice telephone number for the Sysop. For access to the BBS, see below.*

What is available? Starting with three and expanding to four CD-Rom disks of the greatest shareware software! A total of 2 Gigabytes of *compressed* files for downloading. There are also messaging facilities.

When? Initially the system will run from 19:00 to 21:00 daily, during "call more" time, but Bryan will run up the system at a different time also if the user makes prior arrangements.

What's it cost? From the Sysop... nothing. However, Bryan has suggested a

donation to the P.E. Branch of the SARL of about R10 per annum, although he will not force this issue. Let your conscience be your guide.

How? Well, you need a telephone modem - the faster the better up to 14400 baud - and a telephone line. Also a PC running some communication software, and you are in business. The telephone number for accessing the LLBBS is [041] 66-2491.

The Sysop ZR2BG thought that this would add another dimension to the fine art of communication which we all practice via the medium of radio, considering that many hams have or are getting landline modems for various reasons. It is not the intention to compete with packet radio but to rather complement it.

---

## Meter Puzzle Solution

The values of the resistors in last month's puzzle about meter shunts are calculated as follows:

$$R_2 = \frac{I_1 I_m R_m}{I_2 (I_1 - I_m)} \quad \text{and} \quad R_1 = \frac{R_2 (I_2 - I_1)}{I_1}$$

where  $I_m$  is the current through the meter,  $I_1$  and  $I_2$  are the currents through resistors 1 and 2 respectively and  $R_m$  is the meter resistance of  $20\Omega$ .

To save your calculator batteries, I computed the formulæ out in my head and ended up with  $R_1 = 2\Omega$  and  $R_2 = 0.2222\Omega$ .

No, I didn't really. Thanks to A1 ZS2U for a whole page of calculations to prove the answers.

---

└ It was reported in a local magazine recently that, if all the salt in the sea were to be extracted, the salt would cover all the land masses to a depth of 150 metres.

Hope they never *do* it. Imagine the corrosion problem *we'd* have *then!*

## Morse Classes on 2 Metres

Once again, Vic ZS2SZ has started a series of morse classes for the benefit of those wishing to upgrade from ZR to ZS. The classes start at 19:15 in the evening and will run for about 30 minutes.

The linked repeater system will be used, so any keen person from East London to around Mossel Bay will be able to participate.

Vic will try out the new Koch method, which is said to be guaranteed to get you up to 12 wpm in about ten hours of tuition. Let's try to prove Mr. Koch right - but of course it doesn't help to participate irregularly, nor should you rely solely on Vic's lessons and then forget about morse for the other 23½ hours of the day.

Our thanks go to Vic for once again getting involved in what sometimes must seem to be a thankless job.

While we're about it, we must also thank Vic for his faithful relaying of HQ bulletins onto 2 metres for quite a while now. Unfortunately he is no longer able to do this regularly and another volunteer will hopefully soon be pressed into service to help those with no HF facilities.

## REGION I RECORDS

A 1178 km tropo QSO on 50 MHz SSB between Paul Smit ZS6PJS and ZS2FM on 27 March 1995 has at last been listed in the IARU Region 1 Newsletter as a Region 1 world record. Also:

- ZS6LN worked a 19 305 km hop to KH6IAA on 50 MHz using F2 propagation in 1979 to establish a Region 1 World Record, also on SSB.
- On CW, ZS6ALE worked K6MYC/KH6 on 144 MHz EME in 1984, a distance of 19287 km.
- Also using CW, ZS3B worked I4EAT, a distance of 7843 km, during 1979 by Trans Equatorial Propagation on 144 MHz.

Well done, and congratulations Mike.



### Instant Printing

FOR ALL YOUR  
PRINTING REQUIREMENTS

9 St. Patricks Road, Port Elizabeth 6001

Telephone: (041) 55-2614

Try us for your QSL cards!



# NEW RADIO BREAKTHROUGH

SAY YOU SAW IT IN QSX-PE

**Two unique developments in radio technology announced at the beginning of this month promise to revolutionize the amateur transceiver market, at which they are specifically aimed.**

One of them, an unbelievable advance on the theme of the now well-known 'Japanese Lady' (the voice that provides a readout of frequency for sight-impaired operators) almost makes the ham operator redundant – at least in some circumstances such as contests.

Developed by Advanced Propagation, Research and Innovative Laboratories Inc. (APR), the Digitized Unattended Narration Generator (which carries the rather unfortunate acronym DUNG) can be switched to analyze *incoming* signals, search for a recognizable callsign sequence and, if one is found, set up a loop to call that station. If the distant station returns the call, DUNG will reply, generate a signal report – together, if appropriate, with a serial number (e.g. in contests) – using a format prescribed by the user, and sign off unless overridden.

Setting up the format is accomplished via a menu on a large LCD display on the front panel of the rig, similar to that found on today's state-of-the-art equipment.

The DUNG can even be programmed to add a remark such as "beautiful signal" or "fantastic signal" at predetermined S-meter levels, e.g. at 9+20, 9+40 etc. [That's an improvement on today's average ham – at least the DUNG will only give a report of "beautiful" when it can *actually make out* the distant station's callsign! –Ed.]

A graphic equalizer enables the user to adjust the timbre and pitch of the voice to closely resemble his own, so distant stations will usually be unaware that the voice is being generated artificially and the operator is, perhaps, not actually in the

shack! Even vocal inflections can be simulated [e.g. to *drop* the amplitude on the *important* words, as SABC and some HQ bulletin readers tend to do? – Ed.]

If this hasn't got you reaching for your cheque book already, listen to *this* – APR has also developed a device that they have dubbed a Plasma Energy Accelerator (PEA), borrowing from established LASER light-acceleration technology. This innovation speeds the transmission of RF energy to the antenna to offset the retardation introduced by feedlines with low velocity factors.

Co-axial cables, for example, typically have a velocity factor of around 0.66 – a mere two-thirds of the theoretically realizable full value – but, with APR's PEA boost, the effective velocity is around 0.93 – an improvement of over 40%. This means that your signal will have the edge over the transmissions of stations using regular antenna coupling technology – and that could just make a difference when contesting, even without a linear!

Under development amid tight security for about two years, these fantastic innovations by APR have now been incorporated into a completely new amateur transceiver – designated the APR #1 – which was released to the market for the first time at the beginning of this month.

Unfortunately, if you cannot afford the full SARRL subscription fee, you will certainly not be able to get your hands on this new rig but perhaps APR can be persuaded to take the SARRL's 'packaging' lead and market the PEA and DUNG as separate options.

# Fiddlers' Corner

## Build a Useful RF PRE-AMPLIFIER

Amateur Radio can be quite inexpensive. Constructing your own gear keeps costs down, and using items that you have put together yourself provides a measure of satisfaction that you do not get when using something that you have simply bought.

One of the main objectives of Amateur Radio is self-education, and the best way to learn is to *do it yourself*. In this rendering from the Fiddlers' Corner, Viv Moore ZS2VM brings us a useful pre-amplifier that can be added 'outboard' to perk up an existing receiver or to enhance the sensitivity of test equipment.

The wideband RF pre-amplifier described here provides high gain over frequencies from 200kHz to well over 50MHz. As the frequency increases, the gain decreases. It is ideal for use with test instruments such as oscilloscopes and digital frequency counters.

The unit can provide a considerable increase in sensitivity, which is particularly useful when measuring very low voltage signals.

It can also be used as an untuned pre-amplifier for receivers on all bands from LF to VHF and it will give a useful boost to the performance of any receiver. The pre-amp has been used successfully with the Branch QRP receiver kit.

### Setting it up

Carefully inspect the printed circuit board and wiring, connect the supply and measure the supply current, which should be 10-20mA. If this is not the case, adjust VR1 until 15mA is being drawn.

Now connect the pre-amplifier into the coaxial line between aerial and

receiver and tune to a steady signal between 5 and 15MHz.

Adjust VR1 for maximum indication on the receiver's signal-strength meter and then repeat the procedure at VHF (a receiver for the 144MHz band would be ideal for this purpose), once more adjusting VR1 for maximum "S" meter reading. The wideband RF pre-amp is now ready for use.

Use screened coaxial input and output leads. Note that when the pre-amp is used in an unmatched system, it is important to keep the lengths of coaxial cable to a minimum.

Circuit details, PC board layout and an actual size view of the copper side are given on the next page. □

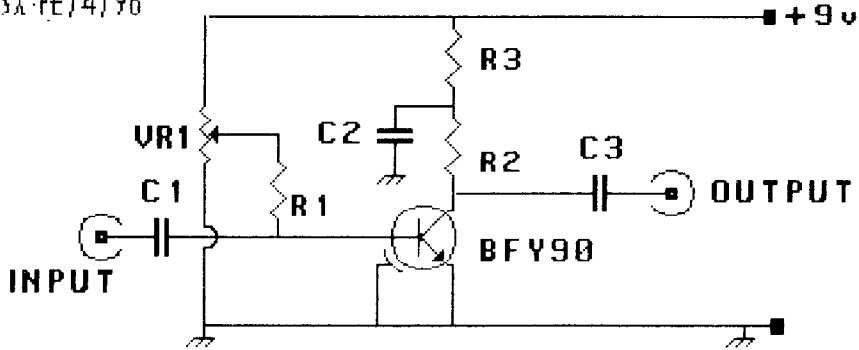
---

### Spot the Deliberate Error

In the last two issues of this august newsletter we deliberately misprinted Viv Moore's callsign as ZS2FM in the Fiddlers' Corner info panel. *Only two readers reported the error!* Viv's callsign, of course, is ZS2VM. Because of the poor response, we have deliberately omitted any errors from the article this month, so don't try re-reading it if you don't find one. □

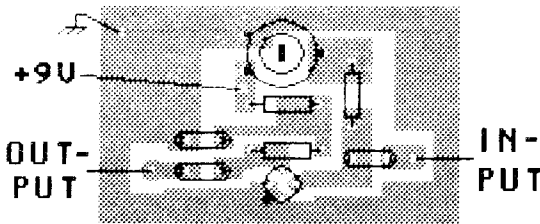
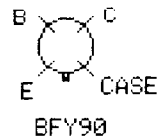


Q5X-PE/4/96

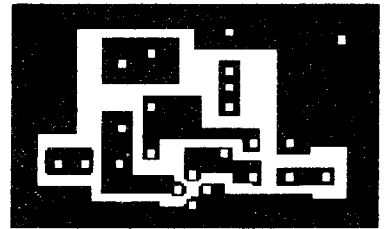


R1 6k8  
R2 330 Ω  
R3 56 Ω

VR1 2k2  
C1,2,3 10n (0.01uF)



PC Board (Component side)



PC Board (Copper side - Actual size)

## RF PRE-AMPLIFIER

### DID YOU KNOW?

└ Zeners below about 5v have a negative temperature coefficient. Those between 5v and 7v are relatively stable, while those above 7v have a *positive* temperature coefficient.

└ Temperature drift in Zener diodes above 7v can be almost eliminated by connecting a silicone diode in series with the Zener. The PTC of the Zener is counteracted by the NTC of the silicone diode. One should take the 0.6v drop across the silicone diode into consideration.

Ω

# What does the League do for you?

Many of us have asked this question, and with good reason. You don't simply throw R150 or more around without expecting to get something in return. Unfortunately, the main reason for the existence of the League, and the most important return that we get for our money, is one of those intangible, taken-for-granted things, namely the representation of our needs and wishes to the Authorities, the protection of our interests generally and promoting the growth of our hobby.

Fortunately, this valuable work has been done by volunteers, i.e. our Councillors, and it has not really cost the League an arm and a leg. Regrettably, in spite of this, it has too often been trotted out as something of a red herring in bulletins and the like to justify increases in subscriptions, whereas other factors have really led to the increases.

At the same time, we have to understand that the League has an infrastructure that *does* need money to keep it going. This seems to be where things have gone awry and brought the SARRL to its knees in recent years.

Under our President Chris Turner, however, we have seen definite moves to put things right, but he cannot do it as speedily as one might think, because of the situation that he inherited. He has, however, trimmed expenditure on the infrastructure as far as is possible just at present and introduced a 'cafeteria' subscription system which will make it easier for us all to continue to belong, even if we do not receive all the services that we did previously.

And we *should* belong to a body that protects our interests, especially in these times when the commercial people are eyeing our frequencies - and that is *not* just another bogeyman to scare us into coughing up with our subscriptions!

Many members have said that Radio ZS is not worth the money that they have to pay, and now is the opportunity for them to put their money where their mouth is - pay the reduced basic rate, drop Radio ZS and the QSL Bureau and stick with us at least for the next year to support Chris in his honest effort to bring membership within the reach of every licensed ham.

On the other hand, there are moves afoot to improve Radio ZS in various ways, I hope at reduced cost (no, we're *not* going to run it from PE!), so borrow a copy from time to time in case you might decide to add Radio ZS to your tab in the future.

## Recent SARRL achievements

Some of the League's achievements do not receive the publicity that they deserve. Even when we are told of them in a few terse sentences, we tend not to appreciate how much work has been put into them. For example,

- In response to the Government's call for input for their proposed new Telecommunications Act, hundreds of man-hours' work by Councillors produced a document that was embodied in the official documents to the Eminent Persons Group. In consequence, Amateur Radio is now given special recognition along with the Red Cross and other non-profit

organisations providing community services.

- A very detailed document for the SABRE team that is investigating the need for reallocating the radio spectrum prompted the leader of SABRE to comment that they had no idea of the scope and value of the Amateur Radio Service in this country, and that they would now take the Service much more seriously.

- The SAREL's status has been elevated from mere "observer" to full official voting member of the SA Bureau of Standards TC71.4 Communications Technology Steering Committee.

- The League has been appointed an official member of the National Telecommunications Forum Executive, the official and only advisory body to the Minister for Telecommunications. We sit alongside all major policy and decision-making bodies in telecommunications, e.g.

Telkom, Department of P&T, CSIR etc.

- And the League's financial control, in spite of the severe drop in membership, has resulted in an operations surplus that enabled HQ to reduce the overdraft by R20 000 this year.

You didn't know that? Well, perhaps HQ bulletins and Radio ZS news pages concentrate too much on the high-profile things, or maybe the background stuff is not presented in an interest-grabbing manner. Or we've become so fed-up with the way certain things have been pushed that we no longer really pay attention.

In his address at the opening of the Special General Meeting on 9 March, Chris admitted that Council had been severely out of touch with the members, that the way they had been doing things had become unpopular, and that Council needed to change a lot. We have seen a change and should encourage it.

Are you with us?

Ω

## EL Frequency Change

Users in the EL area now have to use 145,125/725 to access PE's southern coast linked repeater system. The EL repeater is still located at the Frere Hospital. The Stutterheim repeater, which previously operated on this pair, now becomes 145,075/675 MHz.

## FOR SALE ★ WANTED ★ SWOP

### FOR SALE

★ Rationalization in the shack of ZS1J makes the following equipment for sale:

Collins KWM-2 SSB transceiver 80-10 metres 100 W - R1500; Aida 103 SSB transceiver, 80-20m 100 W - R1200; Yaesu FRG 7000 general coverage receiver - R1000; Yaesu FT 200 SSB transceiver 80-10m 100 W - R800; Hallicrafters SR 150 SSB trcvr 80-10m 50 W - R300; Icom IC 240 2 metre FM synth trcvr 10 W - R600; Sony ICF 2001D gen cov portable digital RX - R900; Tubes: 813, 6146, 6JM6, 6JB6, 6KD6 and others - call; Old valve radio set - working - MW/SW - R100 - Phone or fax Roger Davis @ [04457] 7842.

★ Yaesu FL2100B linear amplifier with manual and 2 spare 572B valves - a real bargain! - Phone Bill Atteridge ZS2V @ 53-2598

## **MINUTES OF THE GENERAL MEETING OF THE PORT ELIZABETH BRANCH OF THE SOUTH AFRICAN RADIO LEAGUE HELD AT THE CIVIL DEFENCE CENTRE, MILL PARK, PORT ELIZABETH ON FRIDAY, 15 MARCH 1996**

**Present & Apologies:** As per attendance register (25 members and 2 non-members).

**Welcome:** Chairman Dick Schönborn, ZS2RS, welcomed all those attending, extending a special welcome to our visitor from Western Cape, Bud ZS1B.

**Minutes of the Previous Meeting:** The minutes of the meeting held on 16 February 1996, as circulated in the February issue of QSX-PE, were taken as read. Their adoption was proposed by Garth Laaks ZS2HB and seconded by Gus Winter ZS2MC.

**Matters Arising:** Discussion started off with a lively debate on the Field Day that had again been cancelled. Bud ZS1B explained that the latest postponement was out of his Committee's hands and he feared that a final date is now likely to fall during the colder weather, which is off-putting for outdoor activities and, even worse, in the winter rainfall period of the Western Cape. Council will presumably soon announce the final date and issue their amended rules for the event.

**Finance:** Treasurer Clive ZS2RT advised that our savings account balance stood at a healthy R1 985, with the 32-day notice deposit now reflecting a balance of R12 416.

**Correspondence:** A letter from Des, ZS2ABU, asked whether the Sunday morning local bulletin could be repeated at some other, later time to accommodate those who, for one reason or another, can not listen in at 08:45 on Sunday. The meeting decided that the Committee should take a look at the matter, and also the possibility of putting the bulletin on packet radio for wider consumption.

**New Business:** Dick, ZS2RS, reported back on the SGMs and AGM that he attended as delegate the previous Saturday, Garth ZS2HB having found it not possible to leave PE to represent the Branch. Dick was pleasantly surprised when the President, Chris Turner, expressed regret at Garth's absence since he had provided useful input regarding the proposed constitution. Dick's AGM report was comprehensive and eye-opening. He described the proposed new structure of the League, which had been widely accepted by the vast majority of the delegates, but members were reminded that all would be able to signify their wishes thereanent in a general postal ballot that would take place soon.

Dick stressed the importance of every member returning his or her ballot paper. Those who do not vote should not later complain if the outcome of the ballot is not to their liking.

The Chairman also read excerpts from the President's address to the delegates, which highlighted a number of achievements about which few members had heard because they had not enjoyed much publicity.

Branch discussion then revolved around Club membership fees and concern was expressed at the thought that branches would no longer have any direct say in League

affairs under the proposed new structure. Branches are where camaraderie is generated, new members are recruited and RAE training is given. Fear of autocratic powers being vested in Council was also expressed in the light of past experience.

If the new structure is accepted by the majority of members in the postal ballot, the Branch will have to draw up its own constitution to function as a Club.

Concluding the discussion, Dick stated that the AGM was conducted in a pleasant mood of co-operation and that a fine spirit existed among the delegates. The informal atmosphere even extended to the President allowing non-delegates and at least one non-member of the League to speak their minds. This indicates a genuine desire under Chris Turner's management to come down to earth and hear what the amateurs are saying.

Gus, ZS2MC, proposed a vote of thanks to Dick for representing the Branch so effectively and for his clear report on the proceedings.

**General:** • Vic ZS2SZ stated that he wished to be relieved of relaying the HF bulletins onto 2m. Beavan volunteered to continue the service.

- Garth ZS2HB reported that the President, Chris Turner, had asked whether the Eastern Cape would provide the copy for the June/July issue of Radio ZS [The issue was later changed to May/June-Ed.]. Members were asked to provide suitable articles to Garth, and the East London Branch and Garden Route Club members would also be invited to assist.
- Dick reported that QSX-PE was well received in other areas and he wondered whether there should not be an annual SARL award for the best branch/club newsletter.
- Wolf ZS2WG reported that the BBS and Uitenhage forwarding station had changed call signs from ZS0NTP and ZS0UTE to ZS2WG and ZS2LR respectively following HQ's request that branches pay for the licences. In response to a query, Garth ZS2HB said he had discussed the question with a senior official in the PMG's office and he said there was nothing to prohibit this, although the licence fee for 1996 would still be payable for the ZS0 licences, having been used during the current year.
- Bud ZS1B commented favourably on the linked repeater system which enabled him to speak on 2m as far as East London from the George area. The Chairman asked Bud to look into the extension of this system beyond George to Cape Town. A member remarked that problems were experienced when that link existed in the past because two rural operators regularly hogged the system with their chatter from morning till night.
- It was reported that Bryan ZR2BG was keen to provide a part-time landline bulletin board, available to amateurs exclusively, with a gateway facility for accessing the Branch's VHF BBS. Only one link to the Branch BBS will be available at any time. This will enable amateurs who have a telephone modem but no packet facility to deposit and receive messages on the Branch BBS. There was no objection to Bryan making the service available.

The meeting closed at 22:15.

**Silent Keys**— We were shocked to learn of the passing of local member Julian Sacke ZS2AAV on 1 April, a week after his re-admission to hospital. OM Julian suffered congenital heart failure. Our deepest sympathy is extended to his sister, Lynne ZS2MM, and the family.

• We also express our condolences to Norma Bowles of Barkly East and the family of Cliff ZS2QC, who passed away suddenly on 26 March following a heart attack.

## *Congratulations*

### on your birthdays:

#### *April*

- 22 Alan Bowles ZR2BL  
Doris Edwards ZS2DJ  
Marge XYL of Jim van  
Loggerenberg ZS2LR
- 23 Colin Robertson ZS2CR  
George Bowes ZS2QN
- 24 Arthur Edwards OM of Doris  
Edwards ZS2DJ
- 28 Chris Scarr ZS2AAW
- 30 Louis Jordaan ZR2J

#### *May*

- 1 Marge Weller ZS2OB
- 6 Joan XYL of Bill Browne ZS2BY  
Wim Vorstenbosch ZS2WV
- 9 Sean Allen ZS2SNA
- 10 Attie Barnard ZR2DY  
Jerome Putter ZR2JP
- 11 Shirley XYL of Tom Cockbain  
ZS2TC
- 12 Elizabeth Oliphant XYL of André
- 15 Merle Jordaan XYL of Louis ZR2J
- 16 Dot XYL of Vic Plumridge ZS2VP
- 17 Keith Olivier ZR2AAX

### on your anniversaries:

#### *April*

- 29 Hanni & Gerhard Baum ZR2JB &  
ZS2UM  
Joey & Bernard Tyler ZS4CW

#### *May*

- 2 Gus & Shirley Winter ZS2MC
- 9 Evadne & Haydn Pearce
- 16 Jock & Anne Morris ZS2MD

**on your achievements** in SARL contests Lynne Crothall ZS2MM (Fred Mills Trophy for the contestant who has never won before) and Al ZS2U (Anon Trophy for highest CW score on a single band);

- Ewan ZR2AAR on passing the CW test;
- André ZS2ACP on outstanding performances at the Springbok shooting trials, gaining Gold (1st) in the .22 light rifle category and 2nd in the International Sports Handgun class with a .357 handgun. (Wonder if any big guns have their sights on the Springbok?)

**on your new callsign:** Pam Hopper, at last ZU1PAM. But why don't we hear you on 2m, Pam?

**on your new daughter** SARL President Chris Turner ZS6GM and XYL Robbie ZS6VIP, who have become the proud and happy parents of Jo-Anne.

*Gadding About:* Ewan & Alison Mathieson ZR2AAR painting foreign places red. Have fun, you-all.

# Port Elizabeth Branch Committee

Chairman; Special Events	Dick Schönborn ZS2RS	38-5070
Vice Chairman	Al Akers ZS2U	30-2983
Secretary	Bert van der Poel ZR2USA	55-2690
Treasurer; Assets Control	Clive Fife ZS2RT	32-3203
assisting with Assets Control	Lynne Crothall ZS2MM	35-4671
Social, Library	Owen Thomas ZS2AZ	38-4134
assisting with refreshments at meetings	Bill Hodges ZS2ABZ	51-2580
Repeaters, Packet	Chris Scarr ZS2AAW	38-1344
QSX Manager	Trevor Scarr ZS2AE	32-1746
assisting as QSX Editor/layout	Garth Laaks ZS2HB	38-1101
Technical Classes	Gerhard Baum ZS2UM	30-5224

## Branch VHF & Other Services

### REPEATERS

Town VHF	145,050/650	Grahamstown	*145,150/750
Town UHF	431,050/438,650	Kareedouw	145,125/725
Cockscomb	145,000/600	Lady's Slipper	*145,100/700
Cradoek	145,050/650	Uitenhage	145,075/675

\* East London's repeater on 145,125/725 MHz is linked to PE's coastwise 2m repeater system.

### OTHER SERVICES

Packet Bulletin Board (ZSØNTP)	144,675
Digipeater (Grahamstown - ZSØGHT)	144,675
2m Beacon (ZS2VHF CW ID)	144,910
6m Beacon (ZS2SIX CW ID)	50,005
6m Link with Lady's Slipper 2m Repeater	51,400
Wefax Relay (Meteosat)	145,350

## Sunday Bulletins

Branch bulletins are transmitted on Sundays immediately after the Headquarters English transmission, i.e. at about 08:45, on 3640 and 7098 kHz as well as the 2 metre linked network giving coastwise coverage from East London to George via repeaters on 145,750 MHz (Grahamstown), 145,700 (PE Slipper), 145,650 (Kuysna) 145,700 (George) and East London's 145,725. 7098 or 3640 kHz (two-way) can also be linked as needed by remote control

*With us you can talk so much further!*

Date	Prepare and Read on 145,700
21 Apr	ZS2U
28	ZR2USA
5 May	ZS2RT
12	ZS2AE
19	ZS2AAW
26	ZS2AZ

### DIARY DATES

#### APRIL

19 Branch Meeting  
24 Constructors' meeting

#### MAY

16 RAE examinations

★ We Like Being Your Branch ★